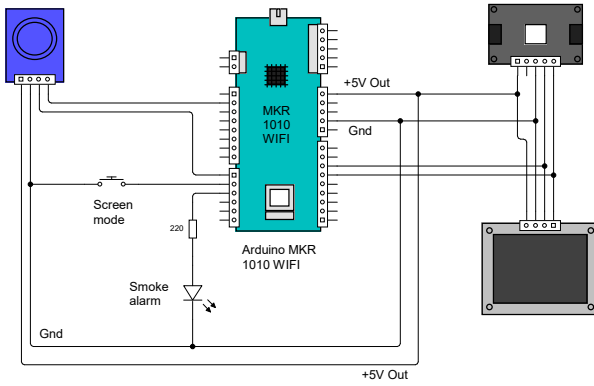


Gas Sensor MQ-2 Flying-Fish

1. Vcc = MKR +5V
2. Gnd = MKR Ground
3. D0 = MKR Pin D0
4. A0 = MKR Pin A0



Adafruit Si7021 I2C Temperature and Humidity sensor

1. Vin = MKR +5V
2. 3Vo = 3.3V output (not in use)
3. Gnd = MKR Ground
4. SCL = MKR Pin D12 SCL
5. SDA = MKR Pin D11 SDA

I2C address = 0x40

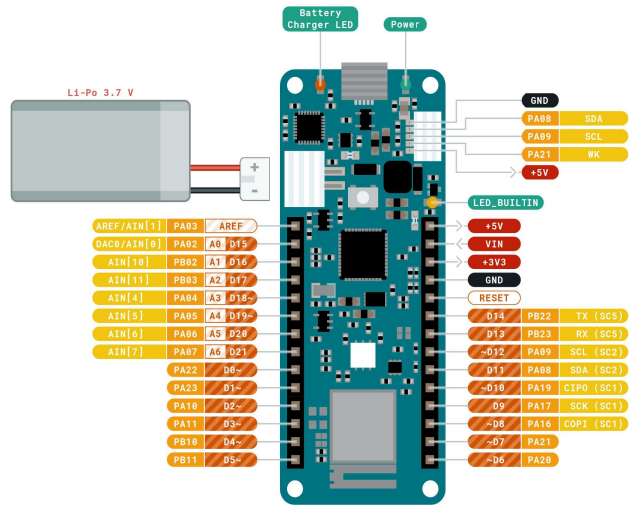
1.3" OLED I2C LCD Screen 128x64

1. Vin = MKR +5V
2. Gnd = MKR Ground
3. SCK = MKR Pin D12 SCL
4. SDA = MKR Pin D11 SDA

I2C address = 0x3D



ARDUINO
MKR WIFI 1010



- Ground
- Internal Pin
- Digital Pin
- Microcontroller's Port
- Power
- SWD Pin
- Analog Pin
- LED
- Other Pin
- Default

ARDUINO.CC



This work is licensed under the Creative Commons Attribution-NonCommercial-ShareAlike license. A copy of this license can be found at <https://creativecommons.org/licenses/by-nc-sa/4.0/>.
 ©2023 Jaakko Muhonen. All rights reserved.
 Printed in the USA.